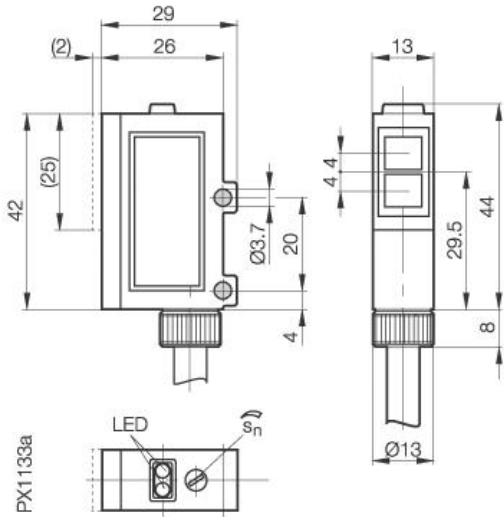


Photoelectric Sensor
BLS 15K-R-G5-02
Sn=5000mm
through-beam



Common Data

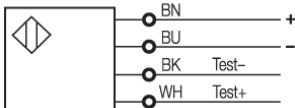
Series	15K
Sensortype	through-beam
Rated operating distance Sn in mm	5000
asured operating distance Sa	80% from Sn
Repeat accuracy	< 5% from Sn
Hysteresis	< 20%
Indication Supply Voltage	yes, green LED
Indication Switching element on	no
Indication Special funktion	no
Ambient temperature	-15...+55°C
Light	Infrared
Blind zone / min Reflector distance	0
Special funktion	Test input

Mechanical Data

Measurements	29x52x13
Shock	Halfsinus, 30gn, 11ms
Vibration	10...55Hz, 1,5mm Amplitude 3x2h
Housing material	ABS UL 94 V-O
Material of sensing face	PMMA
Degree of protection	IP66
Connection	Cable
Weigth	85g
Type of Cable	PVC

Electrical Data

Current	DC
Rated operational voltage Ue	24V DC
Supply Voltage	10...30V DC
Ripple	max. 6% from UB
Frequency of Supply Voltage	DC
Protected against polarity reversal	no
Rated insulation voltage	75V DC



Utilization categories
 Insulation class

Datasheet number:

Definitions see general catalog.
 If not otherwise noted, ratings according to
 IEC 60947-5-2 (DIN EN60947-5-2)

Balluff GmbH
 Schurwaldstrasse 9
 73765 Neuhausen a.d.F.
 Phone (07158) 173-0 Fax (07158) 5010

Datenblatt by CD-ROM - 04/2007